



TIGHTENING TORQUES

(1) Special Tightening Torques

For " * " marked screws, bolts and nuts on under table, apply engine oil to their threads and seats before tightening.



 3EEACAB0P002D	 3EEACAA1P070C	 3EEACAA1P071D
Tightening torque Cylinder head cover screw	Tightening torque Injection pipe retaining nut	Overflow pipe retaining nut
Z482-E2B	Z482-E2B	Z482-E2B
D662-E2B	D662-E2B	D662-E2B
D722-E2B	D722-E2B	D722-E2B
D782-E2B	D782-E2B	D782-E2B
6.86 to 11.3 N·m	24.5 to 34.3 N·m	19.6 to 24.5 N·m
0.7 to 1.15 kgf·m	2.5 to 3.5 kgf·m	2.0 to 2.5 kgf·m
5.1 to 8.3 ft-lbs	18.1 to 25.3 ft-lbs	14.5 to 18.1 ft-lbs

 3EEACAA1P071D	 3EEACAA1P071D	 3EEACAA1P072C
Nozzle holder assembly	Glow plug	Rocker arm bracket screw
Z482-E2B	Z482-E2B	Z482-E2B
D662-E2B	D662-E2B	D662-E2B
D722-E2B	D722-E2B	D722-E2B
D782-E2B	D782-E2B	D782-E2B
49.0 to 68.6 N·m	7.8 to 14.7 N·m	9.8 to 11.3 N·m
5.0 to 7.0 kgf·m	0.8 to 1.5 kgf·m	1.00 to 1.15 kgf·m
36.2 to 50.6 ft-lbs	5.8 to 10.8 ft-lbs	7.2 to 8.3 ft-lbs

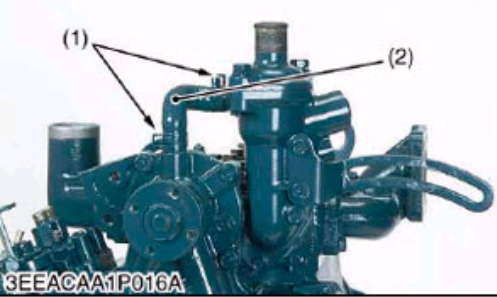
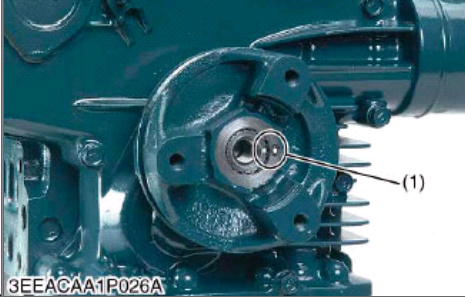
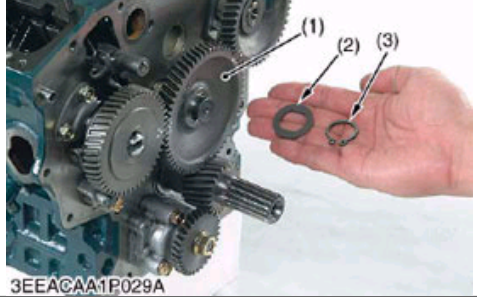


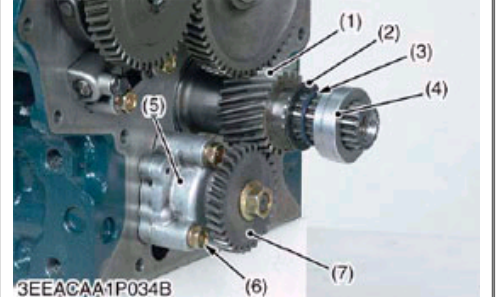

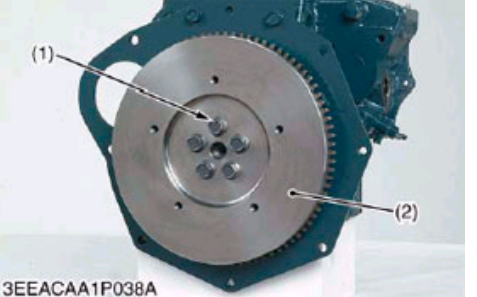
TIGHTENING TORQUES

(1) Special Tightening Torques

For "*" marked screws, bolts and nuts on under table, apply engine oil to their threads and seats before tightening.



		
Cylinder head screw	Fan drive pulley screw	Idle gear shaft mounting screw
Z482-E2B	Z482-E2B	Z482-E2B
D662-E2B	D662-E2B	D662-E2B
D722-E2B	D722-E2B	D722-E2B
D782-E2B	D782-E2B	D782-E2B
37.3 to 42.2 N-m	117.7 to 127.5 N-m	9.8 to 11.3 N-m
3.8 to 4.3 kgf-m	12.0 to 13.0 kgf-m	1.00 to 1.15 kgf-m
27.5 to 31.1 ft-lbs	86.8 to 94.0 ft-lbs	7.2 to 8.3 ft-lbs

		
Tightening torque Oil pump mounting screw	Tightening torque Connecting rod screw	Flywheel screw
Z482-E2B	Z482-E2B	Z482-E2B
D662-E2B	D662-E2B	D662-E2B
D722-E2B	D722-E2B	D722-E2B
D782-E2B	D782-E2B	D782-E2B
17.7 to 21.6 N-m	26.5 to 30.4 N-m	53.9 to 58.8 N-m
1.80 to 2.20 kgf-m	2.7 to 3.1 kgf-m	5.5 to 6.0 kgf-m
13.0 to 15.9 ft-lbs	19.5 to 22.4 ft-lbs	39.8 to 43.4 ft-lbs

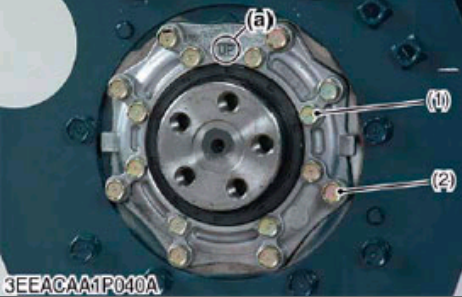

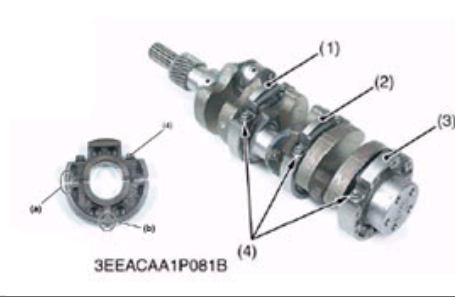


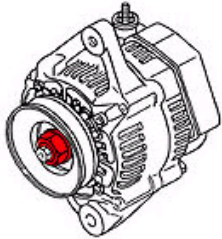
TIGHTENING TORQUES

(1) Special Tightening Torques

For "*" marked screws, bolts and nuts on under table, apply engine oil to their threads and seats before tightening.



 <p>3EEACAA1P040A</p>	 <p>3EEACAA1P041B</p>	 <p>3EEACAA1P081B</p>			
Bearing case cover mounting screw		Main bearing case screw 2	Main bearing case screw 1		
Z482-E2B	9.8 to 11.3 N-m	Z482-E2B	26.5 to 30.4 N-m	Z482-E2B	12.7 to 15.7 N-m
D662-E2B	1.00 to 1.15 kgf-m	D662-E2B	2.7 to 3.1 kgf-m	D662-E2B	1.3 to 1.6 kgf-m
D722-E2B	7.2 to 8.3 ft-lbs	D722-E2B	19.5 to 22.4 ft-lbs	D722-E2B	9.4 to 11.6 ft-lbs
D782-E2B		D782-E2B		D782-E2B	

	
Alternator Pulley nut	
Z482-E2B	58.3 to 78.9 N-m
D662-E2B	5.95 to 8.05 kgf-m
D722-E2B	43.0 to 58.2 ft-lbs
D782-E2B	